

HANG-ON82

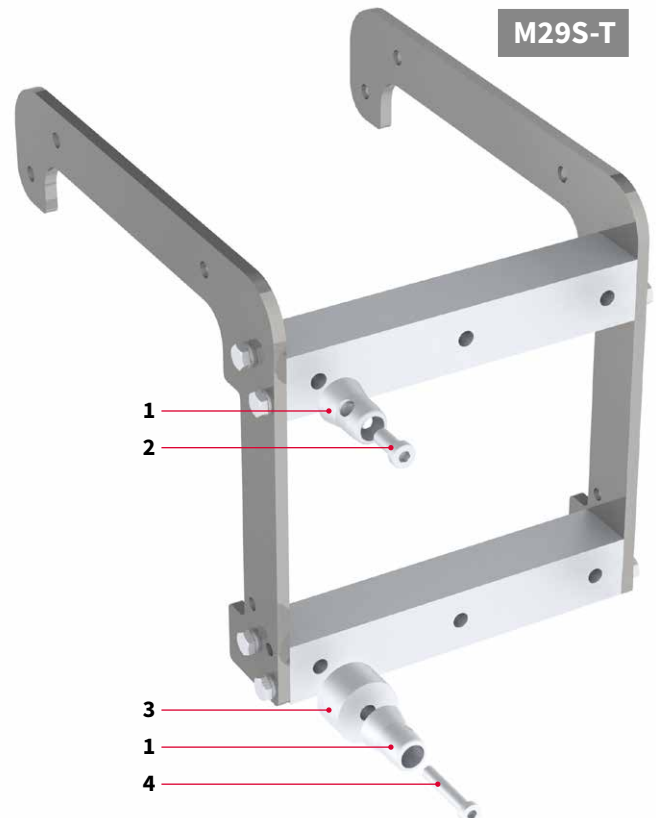


WHY: HANG-ON82

- Alternative for the T-joint
- Flexible in use: can be used on every point in the grid
- Easy to use and assemble
- Can be used in conjunction with box corners and weld corners (spacers or special truss length needed)
- Can be used for ladder, triangle and square truss
- Natural and black finish available
- Load capacity 900 KG*

SPARE PARTS

1	202008	Half connector M52S	M series
2	817008	Bolt M12*25 Low head	M series
3	251008	Hang-on82 Spacer 30 mm	M series
4	817025	Bolt M12*60 Low head	M series



M29 to M29S-T	M29 to M29L	M39 to M29S-T	M39 to M39S-T	M39 to M39L
251003	251004	251005	251006	251007
10.2 kg	7.06 kg	11.72 kg	13.1 kg	8.58 kg

The New Original

www.sixty82.nl

The design of this product is intellectually protected.

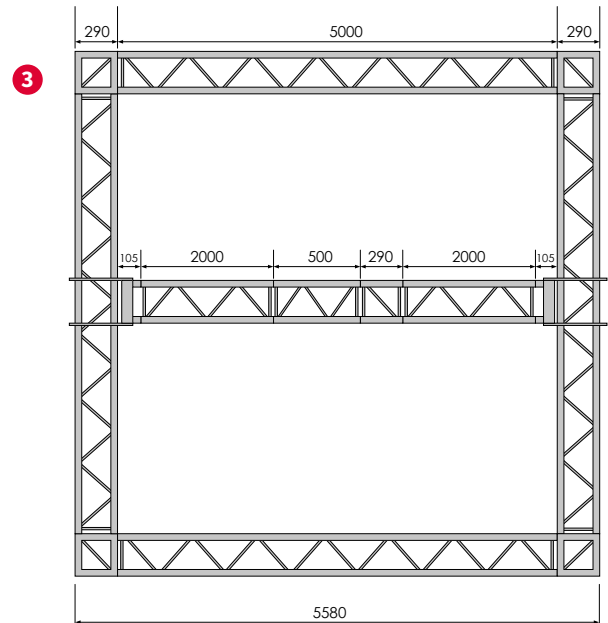
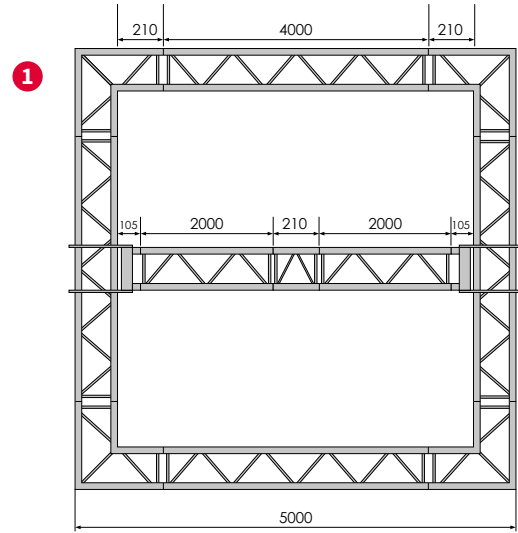
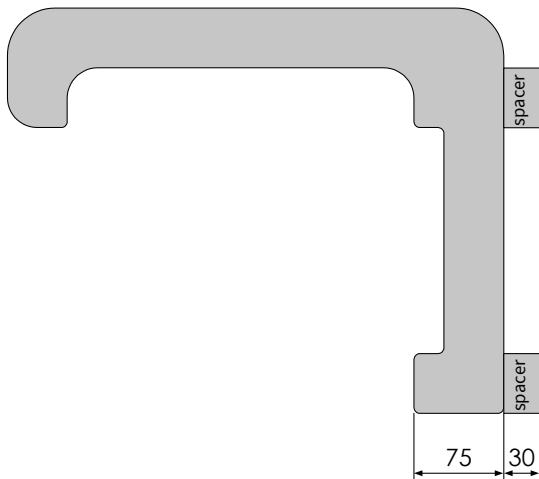
** A truss grid in which the HANG-ON82 is used must be checked by an chartered engineer on a case by case basis.*

HANG-ON82



HANG-ON82 IN USE

- 1 The grid is built with **weld corners**: the hang-on needs to be assembled with 30mm spacers, and an extra piece of 210mm (or 710mm) truss needs to be used in the span (spare parts 1, 3 and 4).
- 2 The grid is built with **box corners with M51 receivers** (75mm): the hang-on needs to be assembled with M52S connectors, and the same length of truss can be used for the span as is used in the grid (spare parts 1 and 2).
- 3 The grid is built with **box corners with M52S connectors**: the hang-on needs to be assembled with spacers, and an extra piece of 290mm truss needs to be used in the span (spare parts 1, 3 and 4).



The New Original

www.sixty82.nl