



STAGE82	96
Stage Legs	101
Subframes	102
Stage Accessories	111
Stairs Adjustable	112
Stairs Modular	113
Stage Railing	114
Skirting	115





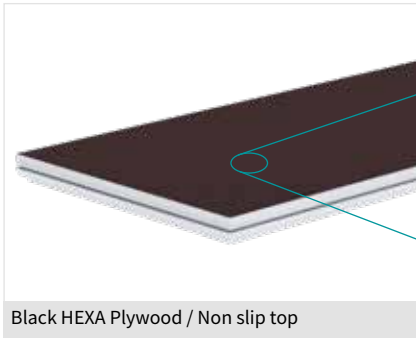
STAGE82



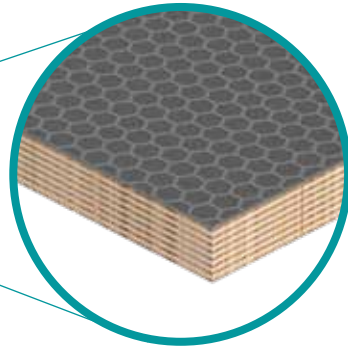
Birch Plywood / Unfinished



Birch Plywood / Black



Black HEXA Plywood / Non slip top



Scan the QR-Code
to watch the
technical video



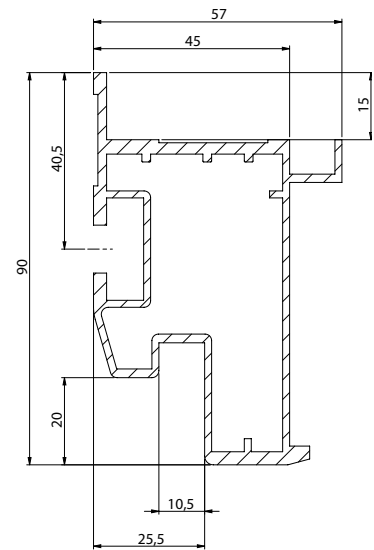


WHY STAGE82 MODEL M?

- Frame design facilitates much easier handling and pick up by hand
- Scaffolding event beam compatible
- Double painted plywood topping

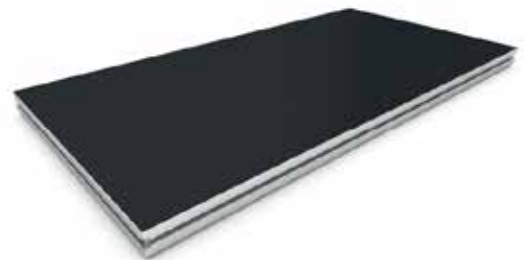


- 750 kg/m²
- Lateral loading 10%
- Plywood 15 mm
- 36 kg (2 x 1 m)
- (RFID)
READY



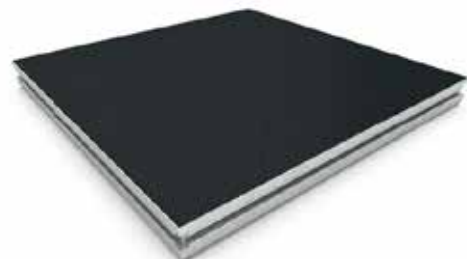
Rectangular 200 x 100 cm

Product	Code	Weight
Black HEXA Plywood / Non slip top	310001	35.68 kg
Birch Plywood / Black	311001	35.68 kg
Birch Plywood / Unfinished	312001	35.68 kg



Rectangular 100 x 100 cm

Product	Code	Weight
Black HEXA Plywood / Non slip top	310002	21.7 kg
Birch Plywood / Black	311002	21.7 kg
Birch Plywood / Unfinished	312002	21.7 kg



Rectangular 200 x 50 cm

Product	Code	Weight
Black HEXA Plywood / Non slip top	310003	21.17 kg
Birch Plywood / Black	311003	21.17 kg
Birch Plywood / Unfinished	312003	21.17 kg





STAGE82 Model M

Triangular 200 x 100 cm left (3 legs needed)

Product	Code	Weight
Black HEXA Plywood / Non slip top	310005	20.7 kg
Birch Plywood / Black	311005	20.7 kg
Birch Plywood / Unfinished	312005	20.7 kg



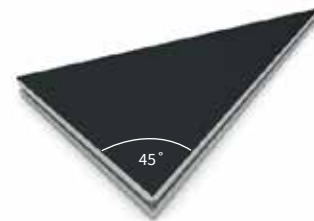
Triangular 200 x 100 cm right (3 legs needed)

Product	Code	Weight
Black HEXA Plywood / Non slip top	310006	20.7 kg
Birch Plywood / Black	311006	20.7 kg
Birch Plywood / Unfinished	312006	20.7 kg



Triangular 100 x 100 cm (3 legs needed)

Product	Code	Weight
Black HEXA Plywood / Non slip top	310007	13 kg
Birch Plywood / Black	311007	13 kg
Birch Plywood / Unfinished	312007	13 kg



Circle 200 cm 90° (4 legs needed)

Product	Code	Weight
Black HEXA Plywood / Non slip top	310015	15 kg
Birch Plywood / Black	311029	15 kg
Birch Plywood / Unfinished	312016	15 kg



Circle 400 cm 45° (4 legs needed)

Product	Code	Weight
Black HEXA Plywood / Non slip top	310016	17 kg
Birch Plywood / Black	311030	17 kg
Birch Plywood / Unfinished	312017	17 kg



Circle 600 cm 22.5° (4 legs needed)

Product	Code	Weight
Black HEXA Plywood / Non slip top	310017	19 kg
Birch Plywood / Black	311031	19 kg
Birch Plywood / Unfinished	312018	19 kg





- Staging Modules must be used within the limits of the structural reposit
- Loading figures mentioned are only valid for static loads
- Self-weight is already taken into account

Maximum uniformly distributed load

Check alloy when legs are not purchased at SIXTY82

Podium height	80 cm (40 / 60 cm)	100 cm	120 cm	140 cm	160 cm
Tube 48.3 x 3 mm EN AW 6082 T6	750 kg/m ²	500 kg/m ²	500 kg/m ²	350 kg/m ²	350 kg/m ²

Maximum point load

LC1 = 2 x 150 kg at a distance of minimum 500 mm at any place

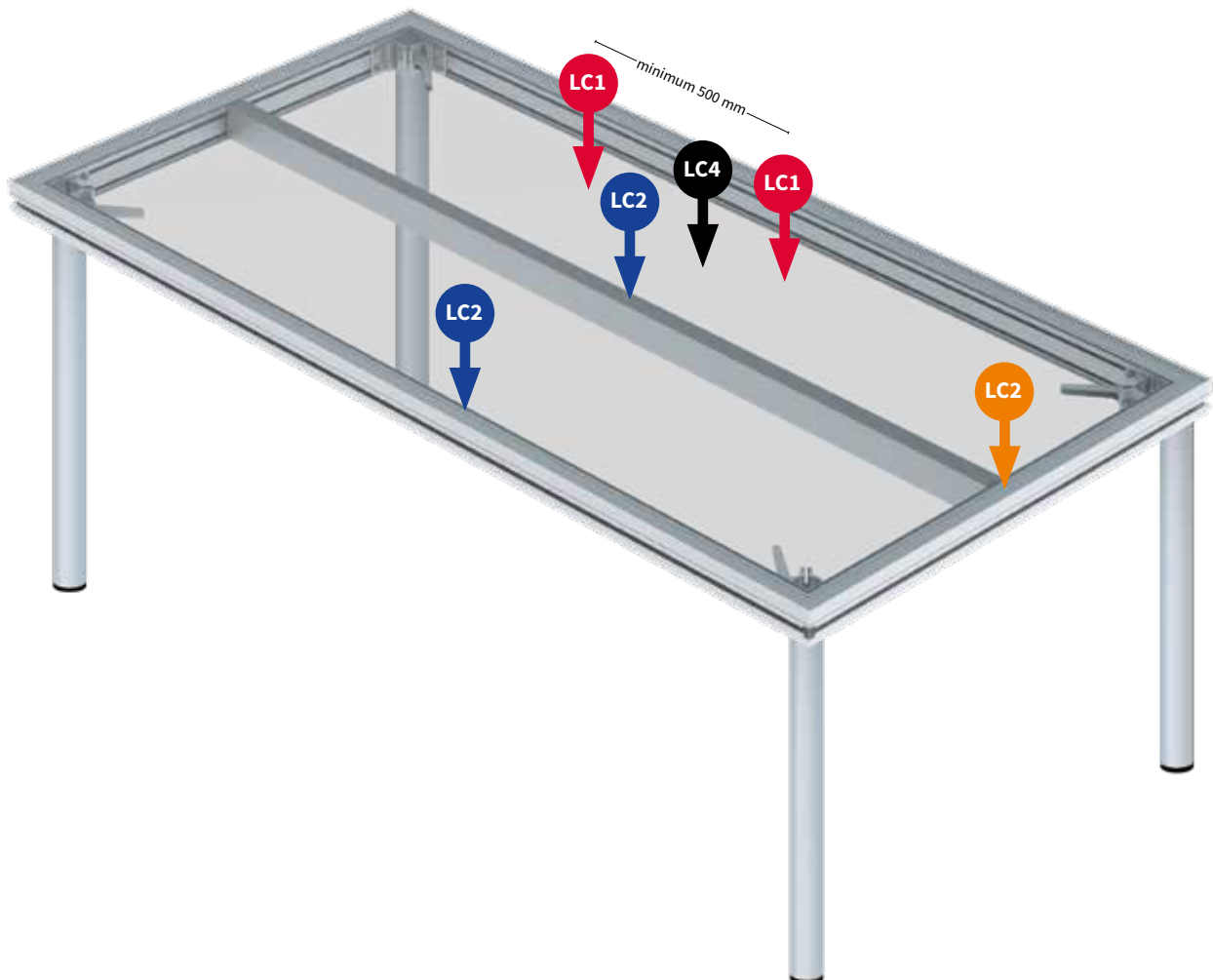
LC2 = 350 kg single point load above each of the 200 cm sides or middle beam

LC3 = 500 kg in the middle of the 100 cm sides

LC4 = 210 kg in the middle of an unsupported woodplate

Point loads need to have a 50 x 50 mm bearing surface minimum.

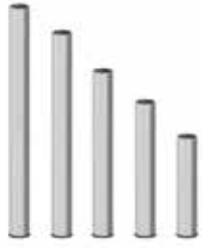
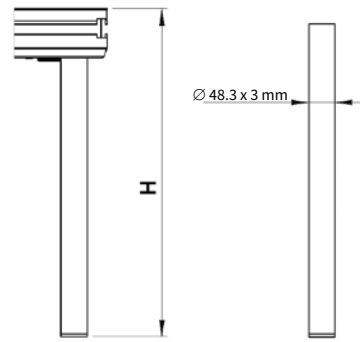
Total loading shall not exceed 1500 kg.



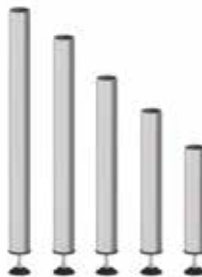
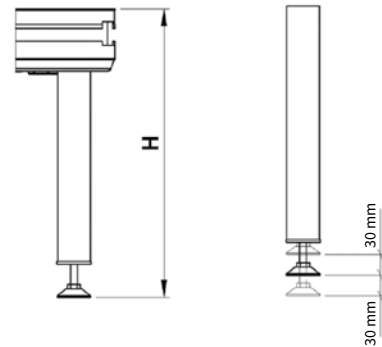





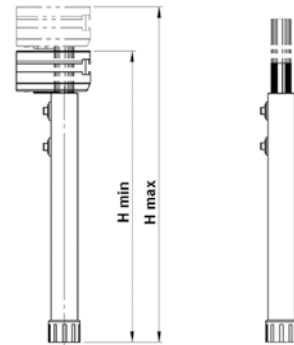
LEG		
Code	Length (H)	Weight
340001	20 cm	0.23 kg
340002	40 cm	0.46 kg
340003	60 cm	0.69 kg
340004	80 cm	0.93 kg
340005	100 cm	1.16 kg

ADJUSTABLE LEG		
Code	Length (H)	Weight
340007	20 cm	0.27 kg
340008	40 cm	0.49 kg
340009	60 cm	0.72 kg
340010	80 cm	0.95 kg
340011	100 cm	1.18 kg

TELESCOPIC LEG		
Code	Length (H)	Weight
340014	60 / 90 cm	2.51 kg
340015	90 / 140 cm	3.57 kg
340016	100 / 160 cm	4.22 kg
340017	120 / 190 cm	5.1 kg

SWIVEL CASTOR LEG SINGLE 25 CM	
340018	1.35 kg



SWIVEL CASTOR LEG DOUBLE 25 CM	
340019	1.75 kg





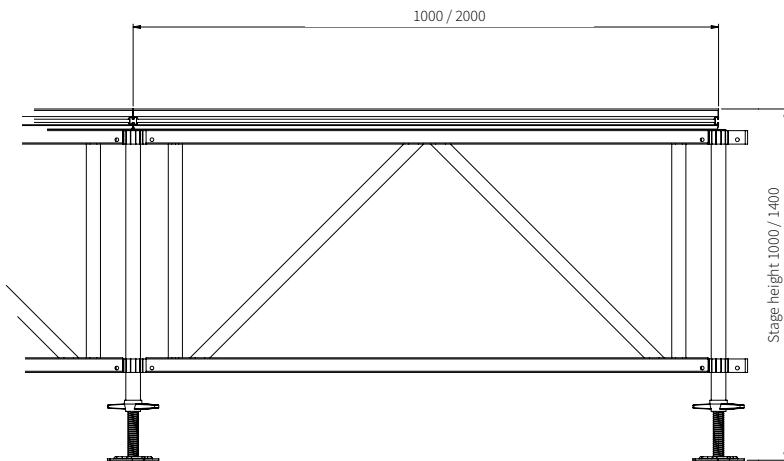
Subframes


Subframe B


Product	Code
Leg Subframe B120 Stage82	341004
Rack Subframe B120 Stage82 200 x 120 cm	341005
Rack Subframe B120 Stage82 100 x 120 cm	341006
Leg Subframe B160 Stage82	341007
Rack Subframe B160 Stage82 200 x 160 cm	341008
Rack Subframe B160 Stage82 100 x 160 cm	341009
Leg Subframe B200 Stage82	341010
Rack Subframe B200 Stage82 200 x 200 cm	341011
Rack Subframe B200 Stage82 100 x 200 cm	341012
L-Pin 16x70 drop nose	811033
Scaff Spindle 60 cm	251009

WHY SUBFRAME B?

- For STAGE82
- For indoor and outdoor use
- Easy to level
- Extremely easy and fast to build and use
- Adjustable in height
- Integration in roof systems (can replace ground ring)
- Made by reinforced profile
- Internal diagonals integrated
- No adapters needed
- Offers space for ballast
- Rigid construction: can be calculated as ballast weight



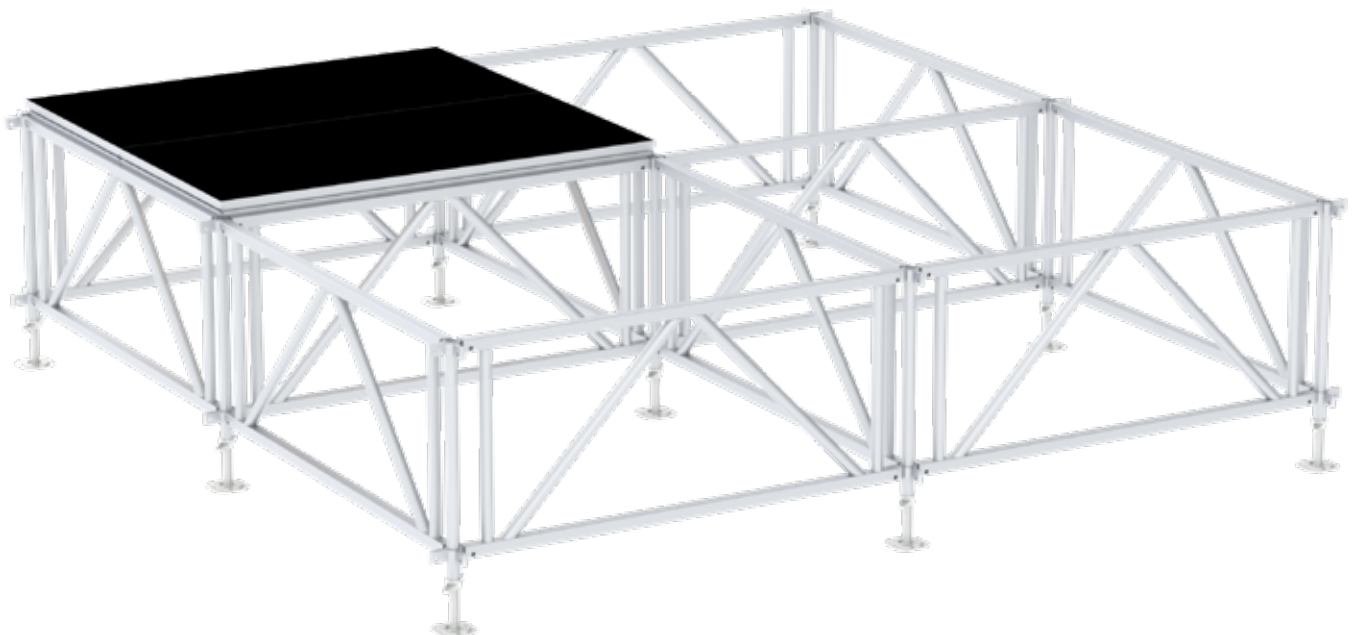
 750 kg/m²

 Lateral loading 10%

STAGE HEIGHT

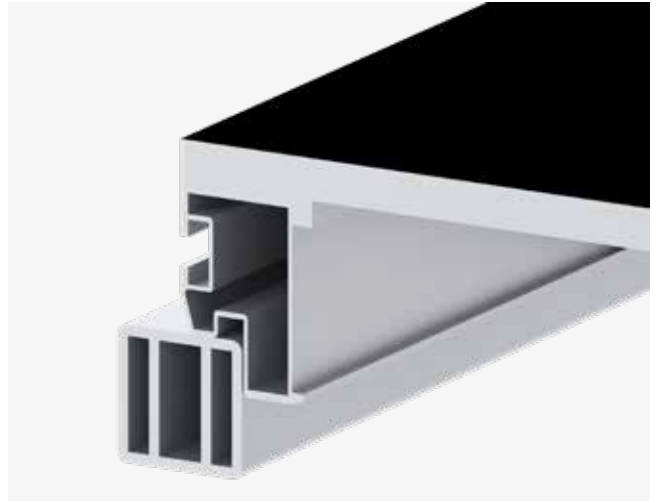
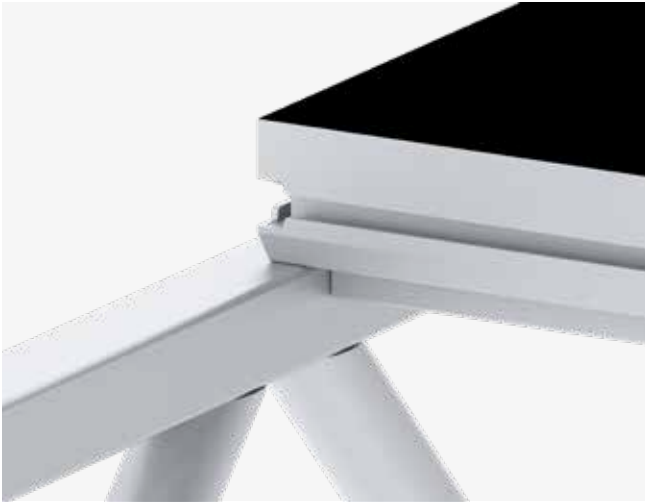
120 cm	160 cm	200 cm
100 to 140 cm	140 to 180 cm	180 to 220 cm

All frames are available in 0.5, 1 and 2 meter





NO ADAPTERS NEEDED



cross section view



Scan the QR-Code
to watch the STAGE82
technical video

